

Shut Off Water to Roof

1) If you have a Controller with an Electric pump: (if you have a PV pump proceed to step 2)

- Unplug the circulation pump from the controller
- Proceed to step 3



Steca Controller



Goldline Controller



Circulation Pump

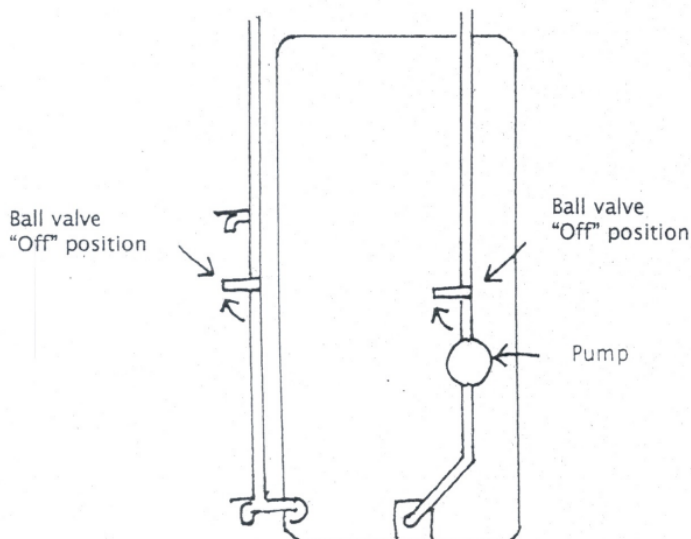
image is for illustration purposes only, your components may not look exactly like this

2) If you have a PV pump:

- Undo one of the splices to disable the PV pump
- Proceed to step 3

3) Turn the ball valves a quarter turn clockwise to the "off" position

- The ball valve above the pump a quarter turn clockwise
- The ball valve on the hot line running down the side of the tank



4) Until the leak is repaired you will only have hot water by turning your timer on.

